

Certificate of Property Use

Issued under the authority of the Environmental Protection Act, R.S.O. 1990, c. E.19,
sections 168.6 (CPU), 132 (Financial Assurance) and 197 (Order)

Certificate of Property Use number 1752-BPXNWL
Risk Assessment number 2535-7W7RFE

Owner: 1251239 Ontario Inc.
1338 Prince Albert Court
Mississauga, Ontario, L5H 3S1

Site: 530 Speers Road, Oakville, L6K 2G3

with a legal description described below:

**PART OF BLOCKS C AND D, PLAN 681, DESIGNATED AS PARTS 19, 20, AND 21 ON PLAN
20R-18368, TOWN OF OAKVILLE**

Being part of PIN 24830-0031 (LT)

This Certificate of Property Use and section 197 Order set out the requirements regarding the above-noted Property and the Risk Assessment carried out in relation to the Property which was assigned the number noted above and is described in more detail in Part 1 below.

Refer to Part 1 of the CPU, Interpretation, for the meaning of all the defined capitalized terms that apply to the CPU.

Part 1: Interpretation

In this CPU, the following capitalized terms have the meanings described below. These terms are also defined in the Approved Model. Not all of these terms may be used in this CPU.

“Act” means the *Environmental Protection Act*, R.S.O. 1990, c. E.19.

“Active SVIMS” means a soil vapour intrusion mitigation system designed and operated to collect and remove soil vapour from below a Building and convey the soil vapour through vent risers to the outside air by means of one or more electrical fan powered vents drawing air from below the Building.

“Adverse Effect” has the same meaning as in the Act; namely,

(a) impairment of the quality of the natural environment for any use that can be made of it,

- (b) injury or damage to property or to plant or animal life,
- (c) harm or material discomfort to any person,
- (d) an adverse effect on the health of any person,
- (e) impairment of the safety of any person,
- (f) rendering any property or plant or animal life unfit for human use,
- (g) loss of enjoyment of normal use of property, and
- (h) interference with the normal conduct of business.

“ASTM” means the American Society for Testing and Materials.

“Building” means an enclosed structure occupying an area greater than ten square metres consisting of a wall or walls, roof and floor.

“Building Area” means the horizontal area of a Building at Grade within the outside surface of the exterior wall or walls.

“Building Code” means Ontario Regulation 332/12 (Building Code) as amended to January 1, 2015, made under the *Building Code Act, 1992*, S.O. 1992, c.23.

“Capping Soil” means,

- (a) soil found on, in or under the Property in which no Property Specific Contaminants of Concern are present, or
- (b) soil that meets the applicable site condition standards for the Property and does not contain any contaminant for which no applicable site condition standard for soil is prescribed under Part IX (Site Condition Standards and Risk Assessment) and which is associated with any potentially contaminating activity described in the Risk Assessment.

“Certificate of Property Use” or “CPU” means this certificate of property use bearing the number 1752-BPXNWL issued for the Property by the Director under section 168.6 of the Act, as it may be amended from time to time.

“Competent Person” has the same meaning as in the *Occupational Health and Safety Act*, R.S.O. 1990, c. O.1.

“Contaminants of Concern” has the same meaning as in O. Reg. 153/04, which, for the Property, means one or more contaminants found on, in or under the Property at a concentration that exceeds the applicable site condition standards for the Property, as specified in section 7 of the Risk Assessment report and in Schedule A of the CPU.

“Director” means a person in the Ministry appointed as a director for the purpose of issuing a certificate of property use under section 168.6 of the Act.

“EBR” means the *Environmental Bill of Rights, 1993*, S.O. 1993, c. 28.

“Grade” has the same meaning as in the Building Code.

“Groundwater Hydraulic Containment Barrier System” means the sewage works installed on the Property for the collection, transmission, and treatment of contaminated ground water using the ground water extraction system (pump and treat system) approved by Environmental Compliance Approval Number 2645-9PAKPL issued on December 11, 2014 and Environmental Compliance Approval 8279-9R6KPU issued on January 13, 2015.

“Hydraulic Containment System Monitoring Program” and/or “HCSMP” means the Hydraulic Containment System Monitoring Program, 530 Speers Road, Oakville, ON, dated September 16, 2019, prepared by Peritus Environmental Consultants Inc. submitted in accordance with Condition 7 of Environmental Compliance Approval 8279-9R6KPU and included as Appendix H of the Risk Assessment.

“Intrusive Activities” means any intrusive activity undertaken at the Property, such as excavating or drilling into soil or ground water, which may disturb or expose Contaminants of Concern at the Property.

“Licensed Professional Engineer” means a person who means a person who holds a licence, limited licence or temporary licence under the *Professional Engineers Act*, R.S.O. 1990, c. P.28 and has obtained the appropriate education and training and has demonstrated experience and expertise in the areas related to the work required to be carried out in this CPU.

“Minister” means the minister of the Ministry.

“Ministry” means the ministry of the government of Ontario responsible for the administration of the Act, currently named the Ministry of the Environment, Conservation and Parks.

“O. Reg. 153/04” means Ontario Regulation 153/04 (Record of Site Condition – Part XV.1 of the Act), made under the Act.

“O. Reg. 406/19” means Ontario Regulation 406/19 (On-Site and Excess Soil Management), made under the Act.

“Owner” means the owner(s) of the Property, beginning with the person(s) to whom the Certificate of Property Use for the Property is first issued by the Director under section 168.6 of the Act based on the Risk Assessment, and any subsequent owner of the Property.

“Property” means the property that is the subject of the Risk Assessment and is described in the property “Site” section on page 1 above.

“Property Specific Standards” means the standards established as the maximum allowable concentrations for the Contaminants of Concern at the Property, as specified in section 6 of the Risk Assessment report and in Schedule A of the CPU.

“Provincial Officer” has the same meaning as in the Act, namely, a person who is designated by the Minister as a provincial officer for the purposes of the Act and the regulations.

“Qualified Person” means a person who meets the qualifications set out in subsection 5(2) of O. Reg. 153/04.

“Risk Assessment” means the Risk Assessment Number 2535-7W7RFE submitted with respect to the Property and accepted by a Director under section 168.5 of the Act on May 25, 2020 and set out in the following documents.

- Risk Assessment Report and Risk Management Plan, 530 Speers Road, Oakville, Ontario, prepared by Environ EC (Canada) Inc., dated January 2013
- Risk Assessment Report and Risk Management Plan, 530 Speers Road, Oakville, Ontario”, prepared by Environ EC (Canada) Inc., dated January 2014
- Risk Assessment Report and Risk Management Plan, 530 Speers Road, Oakville, Ontario, prepared by Environ EC (Canada) Inc., dated April 2015
- Revised Risk Assessment Report for 530 Speers Road, Oakville, Ontario, prepared by Ramboll Environ Canada Inc., dated February 12, 2018
- Revised Risk Assessment Report for 530 Speers Road, Oakville, Ontario, prepared by Ramboll Canada Inc., dated February 2019
- Revised Risk Assessment Report for 530 Speers Road, Oakville, Ontario, prepared by Ramboll Canada Inc., dated September 16, 2019
- Risk Assessment Report and Risk Management Plan For 530 Speers Road Oakville, Ontario, prepared by Ramboll Canada Inc., dated March 9, 2020
- FW: 530 Speers; QPRA information, e-mail from Dan Bunner, Ramboll Canada Inc., received by TASDB on May 15, 2020, with the following document attached:
 - *Information Requested by MECP - May 15, 2020.pdf*
- FW: Revised Text and Risk Management Plan for 530 Speers Road, Oakville, Ontario, e-mail from Dan Bunner, Ramboll Canada Inc., received by TASDB on May 19, 2020, with the following documents attached:
 - *Revised Table 7.3 April 1, 2020 .docx*
 - *7.2_GW Monitoring Program.pdf*
 - *May 19, 2020 Revised Text and Risk Assessment Report and Risk Management Plan For 530 Speers Road Oakville ON.docx*
- Revised and P. Eng Stamped Active Vapour RMM for Speers Road, e-mail from Dan Bunner, Ramboll Canada Inc., received by TASDB on May 21, 2020, with the following document attached:
 - *Complete Revised and Stamped Active Vapour Design for Speers Road - May 19 2020.pdf*
- RE: Mandatory Certifications Speers Road changed Date to May 19, 2020, email from Theresa Repaso-Subang, WSP Canada, received by TASDB on May 21, 2020, with the following document attached:
 - *Appendix A Mandatory Certifications May 19 2020.pdf*

"Risk Management Measures" means the risk management measures specific to the Property described in the Risk Assessment and/or Part 4 of the CPU.

“SVIMS” means soil vapour intrusion mitigation system.

“Tribunal” has the same meaning as in the Act; namely, the Environmental Review Tribunal.

Part 2: Legal Authority

- 2.1 Section 19 of the Act states that a certificate of property use is binding on the executor, administrator, administrator with the will annexed, guardian of property or attorney for property of the person to whom it was directed, and on any other successor or assignee of the person to whom it was directed.

- 2.2 Subsection 132(1.1) of the Act states that the Director may include in a certificate of property use a requirement that the person to whom the certificate is issued provide financial assurance to the Crown in right of Ontario for any one or more of,
- (a) the performance of any action specified in the certificate of property use;
 - (b) the provision of alternate water supplies to replace those that the Director has reasonable and probable grounds to believe are or are likely to be contaminated or otherwise interfered with by a contaminant on, in or under the property to which the certificate of property use relates; and
 - (c) measures appropriate to prevent adverse effects in respect of the property to which the certificate of property use relates.
- 2.3 Subsection 168.6(1) of the Act states that if a risk assessment relating to a property has been accepted under clause 168.5(1)(a), the Director may issue a certificate of property use to the owner of the property, requiring the owner to do any of the following things:
1. Take any action specified in the certificate and that, in the Director's opinion, is necessary to prevent, eliminate or ameliorate any adverse effect that has been identified in the risk assessment, including installing any equipment, monitoring any contaminant or recording or reporting information for that purpose.
 2. Refrain from using the property for any use specified in the certificate or from constructing any building specified in the certificate on the property.
- 2.4 Subsection 168.6(2) of the Act states that a certificate of property use shall not require an owner of property to take any action that would have the effect of reducing the concentration of a contaminant on, in or under the property to a level below the level that is required to meet the standards specified for the contaminant in the risk assessment.
- 2.5 Subsection 168.6(3) of the Act states that the Director may, on his or her own initiative or on application by the owner of the property in respect of which a certificate of property use has been issued under subsection 168.6(1),
- (a) alter any terms and conditions in the certificate or impose new terms and conditions; or
 - (b) revoke the certificate.
- 2.6 Subsection 168.6(4) of the Act states that if a certificate of property use contains a provision requiring the owner of property to refrain from using the property for a specified use or from constructing a specified building on the property,
- (a) the owner of the property shall ensure that a copy of the provision is given to every occupant of the property; and
 - (b) the provision applies, with necessary modifications, to every occupant of the property who receives a copy of the provision; and

- (c) the owner of the property shall ensure that every occupant of the property complies with the provision.
- 2.7 Subsection 197(1) of the Act states that a person who has authority under the Act to make an order or decision affecting real property also has authority to make an order requiring any person with an interest in the property, before dealing with the property in any way, to give a copy of the order or decision affecting the property to every person who will acquire an interest in the property as a result of the dealing.
- 2.8 Subsection 197(2) of the Act states that a certificate setting out a requirement imposed under subsection 197(1) may be registered in the proper land registry office on the title of the real property to which the requirement relates, if the certificate is in a form approved by the Minister, is signed or authorized by a person who has authority to make orders imposing requirements under subsection 197(1) and is accompanied by a registrable description of the property.
- 2.9 Subsection 197(3) of the Act states that a requirement, imposed under subsection 197(1) that is set out in a certificate registered under subsection 197(2) is, from the time of registration, deemed to be directed to each person who subsequently acquires an interest in the real property.
- 2.10 Subsection 197(4) of the Act states that a dealing with real property by a person who is subject to a requirement imposed under subsection 197(1) or 197(3) is voidable at the instance of a person who was not given the copy of the order or decision in accordance with the requirement.

Part 3: Background

- 3.1 The Risk Assessment was undertaken for the Property on behalf of the Owner to assess the human health risks and ecological risks associated with the presence or discharge of Contaminants of Concern on, in or under the Property and to identify appropriate Risk Management Measures to be implemented to ensure that the Property is suitable for the intended use: "Industrial Use", and/or "Commercial Use", as defined in O. Reg. 153/04.
- 3.2 The contaminants on, in or under the Property that are present above Table 7 standards of the ***Soil, Ground Water and Sediment Standards for Use under Part XV.1 of the Environmental Protection Act*** published by the Ministry and dated April 15, 2011 for medium to fine textured soils are set out in the Risk Assessment and in Schedule A (Contaminants of Concern). The Standards for these Contaminants of Concern are also set out in Schedule A which is attached to and forms part of the CPU. Also attached to and forming part of the CPU are the following figures:
- Plan of Survey 20R-18368, prepared by Cunningham McConnel Limited Ontario Land Surveyors
 - Figure 2, Process Flow Diagram, 530 Speers Road, Oakville, prepared by Peritus Environmental Consultants Inc., dated September 2019
 - Figure 7.2, Groundwater Monitoring Program, 530 Speers Road, Oakville, prepared by Ramboll Canada Inc., dated April 1, 2020.
- 3.3 I am of the opinion, for the reasons set out in the Risk Assessment that the Risk Management Measures described therein and in Part 4 of the CPU are necessary to prevent, eliminate or ameliorate an Adverse Effect on the Property that has been identified in the Risk Assessment.

- 3.4 I am of the opinion, for the reasons set out in the Risk Assessment, that Contaminants of Concern require on-going pathway elimination and it is necessary to restrict the use of the Property and/or the construction of Buildings and/or the notice provisions as outlined in Part 5 of this CPU.
- 3.5 I am of the opinion, that the requirements set out in Part 6 of this CPU are necessary to supplement the Risk Management Measures described in the Risk Assessment and in Part 4 of the CPU.
- 3.6 I believe for the reasons set out in the Risk Assessment that it is also advisable to require the disclosure of this CPU and the registration of notice of the CPU on title to the Property as set out in the order requirements in Part 7 of this CPU.

Part 4: CPU Risk Management Measures and Requirements Relating to the Risk Assessment and the Property

I hereby require the Owner to do or cause to be done the following under the authority of paragraph 168.6(1)1 of the Act:

- 4.0 Implement, and thereafter maintain or cause to be maintained, the following Risk Management Measures and requirements identified in the Risk Assessment and set out in Items 4.1 to 4.8 and 5.2 as applicable.

4.1 ACTIVE SOIL VAPOUR INTRUSION MITIGATION SYSTEM (SVIMS) RISK MANAGEMENT MEASURE

Refrain from constructing any Building on the Property unless the Building is of slab on grade construction and includes an Active SVIMS, and the Active SVIMS is consistent with the conceptual design as described within Appendix H of the Risk Assessment Report and Risk Management Plan, 530 Speers Road Oakville, Ontario, prepared by Ramboll Canada Inc., dated March 9, 2020 and meets the following requirements:

4.1.1 DESIGN, INSTALLATION AND OPERATION

Design, install and operate a SVIMS for the Building, designed by a Licensed Professional Engineer in consultation with a Qualified Person and installed by a person acceptable to and under the supervision of a Licensed Professional Engineer, so as to remove soil vapour from below the Building and prevent soil vapour containing the Contaminants of Concern from entering the Building air, including the following requirements and components for the SVIMS:

SYSTEM REQUIREMENTS

- a. the Active SVIMS is to;
 - i. be designed, installed and operated with the objective of achieving during all seasons at least a 6 Pascal lower air pressure differential below the foundation floor slab, relative to the indoor air pressure within the Building, across at least 90% of the Building Area;

- ii. have in place, measures, as appropriate based on an assessment carried out in accordance with ASTM E1998;

SUB-SLAB FOUNDATION LAYER

- b. throughout the Building Area below the foundation floor slab, a sub-slab foundation layer, above soil containing the Contaminants of Concern, designed by a Licensed Professional Engineer for the Building constructor in consultation with the Licensed Professional Engineer for the SVIMS;

SOIL VAPOUR VENTING LAYER

- c. throughout the Building Area below the foundation floor slab and above the sub-slab foundation layer, a soil vapour venting layer designed for collection and venting of soil vapour from below the floor slab to vent risers for venting to the outdoor air, with the soil vapour venting layer consisting of:
 - i. perforated collection pipes or geocomposite strips of sufficient size or diameter, frequency and locations to promote efficient collection and venting, embedded in granular materials of sufficient air permeability and depth;

or,

other soil vapour collection and venting products used to construct a soil vapour venting layer with continuous open void space, such as an aerated sub-floor below the floor slab and around the exterior walls, which provides similar or greater air permeability and collection and venting efficiency;
 - ii. for a Building with isolated soil vapour venting layer areas caused by interior grade beams or areas of thickened slabs, ventilation pipes to connect the isolated areas or a soil vapour venting layer that extends below these elements of the Building foundation;
 - iii. clean-outs, drains or openings to ensure drainage and removal of condensate or water, including any entrained dust, that may enter collection pipes, geocomposite strips or vent risers, and, if required, to ensure drainage or dewatering of the soil vapour venting layer in Property areas with a shallow ground water table;

SOIL VAPOUR BARRIER MEMBRANE

- d. throughout the Building Area, a continuous leak free soil vapour barrier membrane, such as a sheet geomembrane or spray applied membrane, below the foundation floor slab and above the soil vapour venting layer, and below and along the walls of any subsurface structures such as a sump, and which:
 - i. is of appropriate thickness and meets the appropriate gas permeability and chemical resistance specifications to be considered substantially impermeable

to the soil vapour, in accordance with the appropriate ASTM standards such as D412 and D543, as applicable;

- ii. has a suitable protective geotextile, or other suitable protective material, such as a sand layer, immediately below or above the soil vapour barrier membrane, as considered appropriate by the Licensed Professional Engineer;

VENT RISERS

- e. vent risers must be of sufficient size or diameter, frequency and locations to promote efficient venting and that terminate above the roof of the Building, to convey soil vapour from the soil vapour venting layer to the outdoor air above the roof of the Building and that discharge at an appropriate distance from Building air intakes and openable windows, doors and other openings through which exhausted vapours could be entrained in Building air and, consistent with the separation provisions in ASTM E2121 but modified as appropriate for the characteristics of the soil vapour and Building, including:
 - i. at least one vent riser per isolated section of the soil vapour venting layer caused by interior grade beams or thickened slabs, unless analysis or testing indicates a lesser number of vent risers is required;
 - ii. vent pipe riser diameter that is greater than the collection pipe diameter, to promote efficient venting;
 - iii. vent risers located within the Building, where appropriate, to promote temperature induced convective venting during colder weather;
 - iv. an electrical powered fan on each vent risers, and an automated monitoring system of fan operation which remotely detects and indicates system malfunctions;

MONITORING DEVICES

- f. continuous data logging monitoring devices must be installed below the foundation floor slab across the Building Area to measure the (lower) air pressure differential, relative to the indoor air pressure within the Building, being achieved by the soil vapour venting layer, with the number and locations of the monitoring devices installed being as considered appropriate by the Licensed Professional Engineer in consultation with the Qualified Person, taking into account factors such as the Building Area and the design and configuration of the Building foundation;

LABELING OF EQUIPMENT

- g. equipment for the SVIMS must be clearly labelled, including information such as the installer's name, date of installation and identification of all visible piping, consistent with the labeling provisions in ASTM E1465 but modified as appropriate for the characteristics of the soil vapour and Building;

UTILITY SEALING

- h. where utilities or subsurface Building penetrations are a potential conduit for soil vapour migration,
 - i. utility trench dams, consisting of a soil-bentonite mixture, sand-cement slurry or other appropriate material must be installed as a precautionary measure to reduce the potential for soil vapour to migrate beneath the Building through relatively permeable trench backfill;
 - ii. conduit seals constructed of closed cell polyurethane foam, or other inert gas-impermeable material must be installed at the termination of all utility conduits and at subsurface Building penetrations, such as sumps, to reduce the potential for vapour migration along the conduit to the interior of the Building;

4.1.2 QUALITY ASSURANCE / QUALITY CONTROL

prepare and implement a quality assurance and quality control program, prepared by a Licensed Professional Engineer and to be retained by the Owner, and be available for inspection upon request by a Provincial Officer, so as to ensure that the SVIMS is being, and has been, properly installed and the installation documented, including inspections, verification testing and documenting of the installation as it is carried out, including at a minimum:

- i. procedures and timing for implementing the program, by a person acceptable to and under the supervision of a Licensed Professional Engineer;
- ii. daily inspections of the installation of the SVIMS, including of the quality assurance and quality control measures and procedures undertaken by the installer;
- iii. undertaking, at a minimum, the following quality control measures and verification testing of the soil vapour barrier membrane:
 - 1. daily inspection reports noting any deficiencies and corrective actions taken;
 - 2. smoke testing of the soil vapour barrier membrane, or equivalent alternative testing method that provides comparable results;
 - 3. verification of the type and thickness of the soil vapour barrier membrane through testing of representative samples of materials used, including destructive testing and repair of portions of the membranes to be conducted in a manner and at a frequency that meets or exceeds manufacturer's recommendations;
 - 4. verification of field seams of sheet geomembranes as being continuous and leak free, through vacuum or pressure testing, geophysical testing or other appropriate means;
 - 5. verification that appropriate measures to prevent post-construction damage or degradation to the soil vapour barrier membrane have been taken, including at a minimum, appropriate preparation of the sub-slab foundation layer, placement of a protective geotextile, or other suitable protective material, below or above the soil vapour barrier membrane, if included in the design, and work practices to prevent post-construction damage;
- iv. noting any deficiencies in the materials or installation of the SVIMS;
- v. ensuring the prompt repair of any deficiencies, to the design specifications;

- vi. preparing a written report of all inspections, quality control measures and verification testing undertaken, and any deficiencies and repairs, prepared by the Licensed Professional Engineer and to be retained by the Owner, and be available for inspection upon request by a Provincial Officer;

and which are,

- vii. delivered to the Owner before installation of the SVIMS begins; and
- viii. updated and delivered to the Owner within 30 days of making any alteration to the program;

4.1.3 AS CONSTRUCTED PLANS

prepare as constructed plans of the SVIMS, prepared by a Licensed Professional Engineer and to be retained by the Owner, and be available for inspection upon request by a Provincial Officer, showing the location of the Building and the location and specifications of the installed SVIMS, including cross-sectional drawings specifying the design and the vertical and lateral extent of the SVIMS relative to the Building and the ground surface,

and which are:

- i. delivered to the Owner before use of all or any part of the Building begins, or within 90 days following completion of installation of the SVIMS, whichever is earlier; and
- ii. updated and delivered to the Owner within 30 days following making any alteration to the SVIMS, or other relevant feature shown on the plans;

4.1.4 INSPECTION AND MAINTENANCE

prepare and implement a written inspection and maintenance program, prepared by a Licensed Professional Engineer and to be retained by the Owner, and be available for inspection upon request by a Provincial Officer, to ensure the continued integrity and effectiveness of the SVIMS, including, at a minimum:

- i. procedures and timing for implementing the program, by a person meeting the qualifications as set out in the program;
- ii. maintenance and calibration of operational, monitoring and other equipment, as appropriate
- iii. inspections of the SVIMS including:
 - 1. semi-annual inspections, in spring and fall, of the visible areas of the foundation floor slab or subsurface walls in contact with soil, to identify any cracks, breaches or other deficiencies that may allow soil vapour to enter the Building;
 - 2. semi-annual inspections, in spring and fall, the visible components of the SVIMS, to identify any cracks, breaches or other deficiencies that may hinder the collection or venting of soil vapour from below the Building;

- 3. additional inspections, on a more frequent basis as appropriate, of the electrical powered fans to confirm they turn freely, to confirm the automated monitoring system of fan operation is operational and to confirm operational parameters such as amperage levels are within appropriate ranges; and
 - 4. additional inspections during winter, as appropriate, to identify any significant accumulation of snow or ice requiring removal;
- iv. noting any deficiencies with the floor slab and SVIMS identified during any inspection, or at any other time;
 - v. repairing promptly any deficiencies, including under the supervision of a Licensed Professional Engineer for a deficiency referred to in subparagraph iii above;
 - vi. factors and considerations for determining if additional inspections or monitoring should be undertaken;
 - vii. a contingency plan to be implemented in the event the deficiencies cannot be repaired promptly, including prompt notification of the Ministry if such deficiencies, along with operational monitoring results and any additional lines of evidence suggest that soil vapour intrusion into the Building may occur, as determined by a Licensed Professional Engineer;
 - viii. preparing a written report of all inspections, deficiencies, repairs and maintenance, and of implementation of the contingency plan if necessary, prepared by a Licensed Professional Engineer and to be retained by the Owner, and be available for inspection upon request by a Provincial Officer;
- and which are,
- ix. delivered to the Owner before use of all or any part of the Building begins, or within 90 days following completion of installation of the SVIMS, whichever is earlier; and
 - x. updated and delivered to the Owner within 30 days following making any alteration to the program;

4.1.5 OPERATIONAL MONITORING

prepare and implement a written program for monitoring of the operation of the installed SVIMS, prepared by a Licensed Professional Engineer in consultation with a Qualified Person and to be retained by the Owner, and be available for inspection upon request by a Provincial Officer, to ensure the continued integrity and effectiveness of the SVIMS, including, at a minimum:

- i. procedures and timing for implementing the program, by a person meeting the qualifications as set out in the program;
- ii. locations and description of the devices and equipment used, or tested, for each monitoring event; and
- iii. procedures for undertaking the testing, measurement and evaluation during a monitoring event, including calibration of operational, monitoring and other equipment, as appropriate;

- iv. undertaking operational monitoring, including recording of the monitoring results, in accordance with the following:
 - 1. for a period of one month prior to occupancy, and on an ongoing basis after occupancy has commenced, vacuum testing of the soil vapour venting system using continuous data logging equipment by conducting pilot testing using temporary or permanently installed electrically powered fan(s), including with respect to the soil vapour venting layer being able to achieve a 6 Pascal lower air pressure differential objective below the foundation floor slab across the Building Area, relative to the indoor air pressure within the Building; and
 - 2. before occupancy, and after occupancy has commenced, using continuous data logging equipment, measuring of the (lower) air pressure differential below the foundation floor slab across the Building Area, relative to the indoor air pressure within the Building, being achieved by the soil vapour venting layer, using all of the monitoring devices, including those referred to in paragraph f. of Item 4.1.1 as may be amended as required by subparagraph vi. of Item 4.1.4 above;

- v. for each year, undertaking an assessment and preparing a written monitoring report, by a Licensed Professional Engineer in consultation with a Qualified Person and to be retained by the Owner, and be available for inspection upon request by a Provincial Officer, on the operational monitoring undertaken and its results and findings with respect to the integrity and effectiveness of the installed SVIMS, including taking into account previous monitoring undertaken, and with recommendations and any follow-up actions to be taken,

such as:

 - 1. the need to repeat or undertake additional or follow-up operational monitoring and assessment, or additional inspections;
 - 2. changes to the frequency or nature of the monitoring;
 - 3. the need to make repairs or changes to the design or operation of the SVIMS;
 - 4. if necessary, implementation of the contingency plan in the event needed repairs or changes to the SVIMS cannot be made promptly, including notification of the Ministry if the operational monitoring results, inspections and any additional lines of evidence suggest that soil vapour intrusion into the Building may occur, as determined by a Licensed Professional Engineer;

and which are,

- vi. delivered to the Owner before use of all or any part of the Building begins, or within 90 days following completion of installation of the SVIMS, whichever is earlier; and

- vii. updated and delivered to the Owner within 30 days of following making any alteration to the program;

4.1.6 INTRUSIVE ACTIVITIES CAUTION

prepare and implement written procedures, prepared by a Qualified Person and to be retained by the Owner, and be available for inspection upon request by a Provincial Officer, for written and oral communication to all persons who may be involved in Intrusive Activities at the Property that may disturb an installed SVIMS, so as to ensure the persons are made aware of the presence and

significance of the SVIMS and the Contaminants of Concern at the Property and the precautions to be taken to ensure the continued integrity of the SVIMS when undertaking the Intrusive Activities, and if damaged, to ensure the SVIMS is repaired promptly to the original design specifications, or if it cannot be repaired promptly, to ensure the contingency measures are implemented, and records kept, as specified in the inspection and maintenance program;

and which are,

- i. delivered to the Owner before any Intrusive Activities are undertaken at the Property; and
- ii. updated and delivered to the Owner within 30 days following making any alteration to the procedures;

4.1.7 BUILDING CODE

the Building complies with all applicable requirements of the Building Code, such as the provisions governing the following:

- i. soil gas control as set out in Division B, subsection 9.13.4. (Soil Gas Control) of the Building Code;
- ii. protection against depressurization as set out in Division B, Article 9.32.3.8. (Protection Against Depressurization) of the Building Code; and
- iii. separation of air intakes and exhaust outlet openings and protection against contamination of the ventilation air by the exhaust air as set out in Division B, Article 9.32.3.12. (Outdoor Intake and Exhaust Openings) of the Building Code.

4.2 SUB-SLAB VAPOUR QUALITY MONITORING PROGRAM

Implement a sub-slab vapour quality monitoring program for any Building that is constructed on the Property in accordance with the following requirements:

- a. Provide to the Director within 90 days, of installation of the SVIMs in any new Building, and prior to Building occupancy, a sub-slab vapour monitoring program. The sampling locations for the sub-slab vapour monitoring program shall be located at the lowest occupied level of the Building and shall be identified by an industrial hygienist or other appropriately qualified person to be protective of human health for any persons using or occupying the Buildings on the Property.
- b. The sub-slab vapour quality monitoring requirements on the Property shall commence prior to occupancy. All sub-slab vapour quality monitoring shall be in accordance to USEPA Method TO-15 for the Contaminants of Concerns listed in Schedule B of the CPU with a summa canister, using an 8 hour regulator and the outdoor air sample shall be in accordance of The Ministry's "Operations Manual for Air Quality Monitoring in Ontario", dated March 2008 for the Contaminants of Concerns listed in Schedule B.

- c. Sub-slab vapour monitoring shall be carried out at least once before occupancy, quarterly during the first year after occupancy has commenced and semi-annually thereafter until such time as the Director, upon application by the Owner, has reviewed the data available and either alters the frequency of the monitoring or eliminates the requirement altogether. The Owner shall ensure that for each calendar year one monitoring event is conducted in either January or February and is representative of worst-case conditions.
- d. If the sub-slab vapour concentration for the Contaminants of Concern exceeds a respective Sub-Slab Vapour Target Level identified in Schedule B then the sub-slab vapour monitoring shall be repeated for all Contaminants of Concern within 30 days of receipt of the analytical results. If the concentration for any Contaminants of Concern is verified in the second sub-slab vapour sample to exceed a respective Sub-Slab Vapour Target Level identified in Schedule B the Owner shall immediately notify the Director in writing of the exceedance and implement the following contingency plan:
 - i. Sub-slab vapour monitoring shall immediately transition to indoor air quality monitoring with the first indoor air sampling event to be completed within 14 days of the receipt of the second set of laboratory analyses. Indoor air sampling shall continue a quarterly basis for a minimum of one year. If after one year the indoor air concentrations for the Contaminants of Concern do not exceed the Indoor Air Target Levels identified in Schedule B then the indoor air monitoring is reduced to semi-annually thereafter until such time as the Director, upon application by the Owner, has reviewed the data available and either alters the frequency of the monitoring or eliminates the requirement altogether. The Owner shall ensure that for each calendar year one monitoring event is conducted in either January or February and is representative of worst-case conditions;
 - ii. If the indoor air concentration for the Contaminants of Concern exceeds a respective Indoor Air Target Level identified in Schedule B then the Director shall be notified in writing and the indoor air monitoring shall be repeated for all Contaminants of Concern within 14 days of receipt of the analytical results. If the concentration for any Contaminants of Concern is verified to exceed a respective target concentration identified in Schedule B the Owner shall immediately notify the Director in writing of the exceedance;
 - iii. Within 45 days of the Owner receiving the laboratory analysis, the Owner shall submit to the Director a proposed contingency plan for review and approval. The proposed contingency plan shall be prepared by a Licensed Professional Engineer and include, but not be limited to, a detailed interpretation of the available data collected to date along with recommendations to further assess and address risks to vapour intrusion;
 - iv. Upon the Owner receiving written approval from the Director, the Owner shall implement the approved contingency plan; and
 - v. Within 30 calendar days of approval of the contingency plan by the Director, the Owner shall submit written confirmation, along with supporting documentation, prepared by a Qualified Person that the contingency plan has been implemented.

4.3 **GROUND WATER HYDRAULIC CONTAINMENT BARRIER SYSTEM RISK MANAGEMENT MEASURE**

Under the supervision of a Licensed Professional Engineer continue to maintain, operate and remotely monitor the Groundwater Hydraulic Containment Barrier System including the up-gradient hydraulic containment barrier installed at the eastern Property boundary adjacent to 520 Speers Road, Oakville and the down-gradient hydraulic containment barrier installed near the southern boundary of the Property to prevent Contaminants of Concern in ground water from migrating onto and off of the Property. Details of the Groundwater Hydraulic Containment Barrier System Risk Management Measure are described in Section 7.1.2.2 of the Risk Management Plan and in Figures 2 and 7.2 of the CPU.

4.4 **GROUND WATER MONITORING PROGRAM RISK MANAGEMENT MEASURE**

Under the supervision of a Qualified Person continue to implement the ground water monitoring program described in the Hydraulic Containment System Monitoring Program at the locations shown in Figure 7.2 of the CPU until such time that the Director, upon application by the Owner, has reviewed the data available and either alters the frequency of the monitoring or eliminates the requirement altogether. The ground water monitoring program shall include, but not be limited to the following requirements:

- a. up-gradient Hydraulic Containment Barrier:
 - i. Quarterly (every three months) measurement of ground water elevations at monitoring well locations RW12, RW16, RW20, MW07-4A, MW07-4B, BH08-01, BH08-02, PW2, BH05-13, BH05-14 and BH05-15; and
 - ii. Collection of ground water sample on an annual basis at monitoring well location BH08-2.

- b. down-gradient Hydraulic Containment Barrier:
 - i. Quarterly (every three months) measurement of ground water elevations at monitoring well locations RW1, RW4, RW9, MW07-1E, BH05-7, BH08-03, BH08-04, BH08-05 and PW1;
 - ii. Monthly measurement of ground water elevations at monitoring well locations MW101, MW102, MW103, MW104, and MW105; and
 - iii. Collection of ground water samples on an annual basis at monitoring well locations MW101, MW105, PW1 and BH05-7;

- c. ground water samples shall be sent to an accredited laboratory and analysed for the volatile Contaminants of Concern as identified in Schedule A of the CPU;

- d. the ground water monitoring results for monitoring locations BH08-2, PW1 and BH05-7 shall be compared against the established Property Specific Standards for the Property for the Contaminants of Concern as identified in Schedule A of the CPU:
 - i. if the concentrations of any Contaminants of Concern in ground water are identified to exceed the Property Specific Standard for the Contaminant of Concern in any of

the monitoring wells then the Director shall be promptly notified in writing and the ground water monitoring shall be repeated within 14 calendar days of receipt of the analytical results;

- ii. if the concentration for any Contaminants of Concern is verified in the second ground water sample to exceed a respective Property Specific Standard the Owner shall immediately notify the Director in writing of the exceedance. The written notification shall be prepared by a Qualified Person and shall include the ground water data and laboratory certificates of analyses;
 - iii. within 30 calendar days of the Owner receiving the laboratory analysis of the second sample, the Owner shall submit to the Director a proposed contingency plan for review and approval. The proposed contingency plan shall be prepared by a Qualified Person and include, but not be limited to, a detailed interpretation of the available data collected to date along with recommendations for any additional investigation and/or monitoring as may be required and or recommendations for the implementation of additional risk management and/or remediation measures as may be necessary;
 - iv. upon the Owner receiving written approval from the Director, the Owner shall implement the approved contingency plan; and
 - v. Within 30 calendar days of approval of the contingency plan by the Director, the Owner shall submit written confirmation, along with supporting documentation, prepared by a Qualified Person that the contingency plan has been implemented;
- e. the ground water monitoring results for monitoring locations MW101 and MW105 shall be compared against the Table 7 Site Conditions Standards contained in the Soil, Ground Water and Sediment Standards for Use Under Part XV.1 of the Environmental Protection Act, April 15, 2011, as amended for the Contaminants of Concern as identified in Schedule A of the CPU. The Owner shall, for each ground water monitoring event, prepare an interpretation of the ground water monitoring results and analytical data collected for each Contaminant of Concern at monitoring wells MW101 and MW105. This interpretation shall be supported by a Mann- Kendall trend analysis that incorporates all current and historical ground water quality data. The findings of the Mann Kendall trend analysis shall be evaluated by the Qualified Person who will provide an opinion regarding the need for any additional contingency measures relating to the operation of the Down-gradient Hydraulic Containment Barrier;
- f. the ground water elevation monitoring data shall be used to assess the continued effectiveness of the up-gradient and down-gradient hydraulic barriers as outlined in Section 4 of the Hydraulic Containment System Monitoring Program:
- i. if the monitoring indicates that hydraulic control is not achieved the Owner shall immediately notify the Director in writing and the ground water elevation monitoring shall be repeated within 7 calendar days;

- ii. if loss of hydraulic containment is verified in the second monitoring event the Owner shall immediately notify the Director in writing and shall under the direction of a Qualified Person implement the contingency measures described in Section 8 of the Hydraulic Containment System Monitoring Program; and
- iii. if hydraulic containment is not achieved within 30 calendar days, the Director shall be promptly notified in writing and the ground water monitoring shall be repeated within 45 calendar days of the second monitoring event;
- g. the Owner shall keep a copy of all ground water sampling data available for inspection by a Provincial Officer upon request;
- h. any changes to the ground water monitoring program, including changes to the any of the selected ground water monitoring wells, must be requested in writing by the Qualified Person and these changes can only be implemented upon receiving approval from the Director in writing; and
- i. in the event that any monitoring well is destroyed during construction or site activities the monitoring well shall be replaced with a similarly constructed well proximate to the same location as the destroyed well.

4.5 NO GROUND WATER USE RISK MANAGEMENT MEASURE

Implement the following requirements to restrict the use of ground water at the Property:

- a. refrain from using ground water in or under the Property as a source of water;
- b. properly abandon any wells on the Property, as defined in section 35. (1) of O. Reg. 153/04, according to R.R.O. 1990, Regulation 903 (Wells) made under the *Ontario Water Resources Act*, R.S.O. 1990, c. O.40; and
- c. refrain from constructing on the Property any wells as defined in section 35. (1) of O. Reg. 153/04.

4.6 HEALTH AND SAFETY PLAN REQUIREMENT

In addition to any requirements under the *Occupational Health and Safety Act*, R.S.O. 1990, c. O.1, prepare and implement a written health and safety plan for the Property, prepared by a Competent Person in consultation with a Qualified Person and to be retained by the Owner, and be available for inspection upon request by a Provincial Officer, that includes information concerning the potential hazards and safe work measures and procedures with respect to the Contaminants of Concern at the Property and the communication of this information to all persons who may be involved in Intrusive Activities at the Property, including, at a minimum:

- a. the procedures and timing for implementing the plan, including the supervision of persons implementing the plan;
- b. all relevant information concerning the presence of, human exposure to, and risk posed by, the Contaminants of Concern through dermal contact, soil or ground water ingestion and inhalation of soil particles or vapour, and concerning any biogenic gases such as methane that may be present at the Property including information in the Risk Assessment;

- c. all relevant information, measures and procedures concerning protection of the persons from exposure to the Contaminants of Concern and the precautions to be taken when undertaking Intrusive Activities, including the supervision of workers, occupational hygiene requirements, use of personal protective equipment, provision of air flow augmentation in excavations or other areas or situations of minimal air ventilation, and other protective measures and procedures as appropriate;
- d. all relevant information concerning the presence and significance of the Risk Management Measures and requirements which are being, or have been, implemented at the Property;
- e. the procedures and timing for implementing emergency response and contingency measures and procedures, including contact information, in the event of a health and safety incident;
- f. the recording, in writing, of the implementation of the plan and any health and safety incidents that occur, to be retained by the Owner and be available for inspection upon request by a Provincial Officer;

and which is,

- g. delivered to the Owner before any Intrusive Activities are undertaken at the Property; and
- h. updated and delivered to the Owner within 30 days following making any alteration to the plan.

4.7 SOIL AND GROUND WATER MANAGEMENT PLAN REQUIREMENT

Prepare and implement a written soil and ground water management plan for the Property, prepared by a Qualified Person and to be retained by the Owner, and be available for inspection upon request by a Provincial Officer, for managing excavated soil or soil brought to the Property, and, if any, ground water from dewatering during Intrusive Activities at the Property, so as to prevent exposure to or uncontrolled movement or discharge of the Contaminants of Concern in soil or ground water at the Property, including, at a minimum:

- a. procedures and timing for implementing the plan, including the supervision of persons implementing the plan;
- b. measures to control dust and prevent tracking of soil by vehicles and persons from the Property, including the cleaning of equipment and vehicles;
- c. measures, in addition to any applicable measures specified in O. Reg. 153/04 or O. Reg. 406/19, to manage soil excavated at the Property and any soil brought to or removed from the Property, including:
 - i. characterizing for contaminant quality all excavated soil and any soil brought to the Property, including determining whether the soil:
 - 1. is Capping Soil;
 - 2. meets the Standards; or
 - 3. exceeds the Standards;
 - ii. managing excavated soil separately from any soil brought to the Property, including any excavated soil that is to be:
 - 1. used as Capping Soil at the Property;
 - 2. otherwise used as fill at the Property;
 - 3. removed from the Property for off-site storage or processing but is to be returned for use as fill at the Property; or

4. removed from the Property for off-site use as fill or disposal; and
- iii. stockpiling of excavated soil and any soil brought to the Property in separate designated areas that:
 1. reflect the distinctions described in subparagraphs (c) i and ii;
 2. have been lined and covered, as appropriate, to prevent uncontrolled movement or discharge of the Contaminants of Concern;
 3. have been bermed or fenced, as appropriate, to restrict access by persons; and
 4. have storm water runoff controls in place to minimize storm water runoff contacting stockpiled soil, with provision for discharge of storm water runoff to a sanitary sewer or to other approved treatment if needed;
 - d. measures to manage storm water and any ground water from dewatering at the Property to prevent the movement of entrained soil and Contaminants of Concern within and away from the Property, including, in addition to any applicable measures specified pursuant to other applicable law or other instruments, measures such as silt fences, filter socks for catch-basins and utility covers, and provision for discharge to a sanitary sewer or to other approved treatment if needed;
 - e. recording, in writing, the soil, storm water and any ground water management measures undertaken, in addition to any applicable record keeping requirements specified in O. Reg. 153/04, O. Reg. 406/19 or pursuant to other applicable law or other instruments, to be retained by the Owner, and be available for inspection upon request by a Provincial Officer, including:
 - i. dates and duration of the Intrusive Activities being undertaken;
 - ii. weather and site conditions during the Intrusive Activities;
 - iii. the location and depth of excavation activities, and dewatering activities, if any;
 - iv. dust control and soil tracking control measures such as hauling records;
 - v. characterization results for excavated soil and any soil brought to or removed from the Property, and for any ground water from dewatering;
 - vi. soil management activities including soil quantities excavated and brought to and removed from the Property, and stockpile management and storm water runoff control;
 - vii. management activities for any ground water from dewatering;
 - viii. names and contact information for the Qualified Persons and on-site contractors involved in the Intrusive Activities;
 - ix. names and contact information for any haulers and owners or operators of receiving sites for soil and any ground water removed from the Property, and for haulers and owners or operators of project areas (as defined in O. Reg. 406/19 also known as source sites) of any soil brought to the Property;
 - x. any complaints received relating to the Intrusive Activities, including the soil, storm water and any ground water management activities;

and which is,

- xi. delivered to the Owner before any Intrusive Activities are undertaken at the Property; and
- xii. updated and delivered to the Owner within 30 days following making any alteration to the plan.

4.8 ANNUAL REPORTS REQUIREMENT

Prepare each year on or before March 31, an annual report documenting activities relating to the Risk Management Measures undertaken during the previous calendar year. A copy of this report shall be maintained on file by the Owner and shall be made available upon request by a Provincial Officer. The report shall include, but not be limited to, the following minimum information requirements:

- a. a copy of all records relating to the Active SVIMS, as outlined in Item 4.1, if applicable;
- b. a copy of all records relating to the sub-slab vapour monitoring program, as outlined in Item 4.2; if applicable;
- c. a copy of all records relating to the Groundwater Hydraulic Containment Barrier System as outlined in Item 4.3; if applicable;
- d. a copy of all records relating to the ground water monitoring program, as outlined in Item 4.4; if applicable;
- e. a copy of all records relating to the health and safety plan as outlined in Item 4.6; if applicable;
- f. a copy of all records relating to the soil and ground water management plan as outlined in Item 4.7; if applicable; and
- g. a copy of documentation to justify the financial assurance calculation and to meet the record keeping requirements as outlined in Items 6.4, 6.5, 6.6 and 6.7.

Part 5: CPU Restrictions on Property Use, Building Construction and Notice Requirements

I hereby require the Owner to do or cause to be done the following under the authority of paragraph 168.6(1)2 of the Act:

5.1 Property Use Restriction

Refrain from using the Property for any of the following use(s): any type of property use specified in O. Reg. 153/04 which is more sensitive than: "Industrial Use", and/or "Commercial Use", as specified in O. Reg. 153/04.

5.2 Building Construction Restrictions

Refrain from constructing the following Building(s): Any Building except as may be permitted in the CPU including by implementing on any particular Building, the Risk Management Measures as may be applicable.

5.3 Notice of Restrictions

Pursuant to the requirements of subsection 168.6(4) of the Act, the Owner shall ensure that every occupant of the Property is given notice that the Ministry has issued this CPU and that it contains the provisions noted above in Items 5.1 and 5.2, except where noted N/A, and that every occupant complies with such provisions. For the purposes of this requirement, an occupant means any person with whom the Owner has a contractual relationship regarding the occupancy of all or part of the Property.

Part 6: Additional Requirements

I hereby require the Owner to do or cause to be done the following things under the authority of paragraph 168.6(1)1 of the Act:

6.1 Site Changes Affecting Risk Management Measures

In the event of a change in the physical site conditions or receptor characteristics at the Property that may affect the Risk Management Measures and/or any underlying basis for the Risk Management Measures, the Owner shall forthwith notify the Director of such changes and the steps taken, to implement, maintain and operate any further Risk Management Measures as are necessary to prevent, eliminate or ameliorate any Adverse Effect that will result from the presence on, in or under the Property or the discharge of any Contaminant of Concern into the natural environment from the Property. In support of this work, a new risk assessment may need to be completed in accordance with O. Reg. 153/04 and submitted to the Ministry for acceptance. An amendment to the CPU will be issued to address the changes set out in any notice received and any future changes that the Director considers necessary in the circumstances.

6.2 Report Retention Requirements

The Owner shall retain a copy of any reports required under the CPU for a period of seven (7) years from the date the report is created and within ten (10) days of the Director or a Provincial Officer making a request for a report, provide a copy to the requesting Director or Provincial Officer.

6.3 Owner Change Notification

While the CPU is in effect, the Owner shall, forthwith report in writing to the Director any changes of ownership of the Property except that while the Property is registered under the *Condominium Act*, 1998, S.O.1998 c.19 no notice shall be given of changes in the ownership of individual condominium units or any appurtenant common elements on the Property.

Financial Assurance

- 6.4** Within sixty (60) days of the date of the CPU, the Owner shall provide financial assurance to the Crown in right of Ontario in the amount of one hundred and seventy six thousand one hundred and twenty six dollars (\$176,126.00) in a form satisfactory to the Director and in accordance with Part XII of the Act to cover costs for the performance of the Risk Management Measures required to be carried out under the CPU.

- 6.5** Commencing on March 31, 2023 and at intervals of every three (3) years thereafter, the Owner shall submit to the Director, a re-evaluation of the amount of financial assurance to implement the actions required under Item 6.4. The re-evaluation of the amount of financial assurance required shall include an assessment based on any new information relating to the environmental conditions of the Property and shall include any costs of additional monitoring and/or implementation of contingency plans.
- 6.6** Commencing on March 31, 2021, the Owner shall prepare and maintain at the Site an updated re-evaluation of the amount of financial assurance required to implement the actions required under Item 6.4 for each of the intervening years in which a re-evaluation is not required to be submitted to the Director under Item 6.5. The re-evaluation shall be made available to the Ministry, upon request. If the re-evaluation is for an amount greater than the amount as set out in Item 6.4 the Owner shall submit to the Director a copy of the re-evaluation.
- 6.7** Prior to the submission of a building permit for any new Building on the Property constructed under Item 4.1, the Owner shall submit to the Director, an updated re-evaluation of the amount of financial assurance that includes costs relating to the performance of the Active SVIMS and any monitoring that may be required under Item 4.2 associated with the new Building.

Part 7: Section 197 Order (Property Notice and Certificate of Requirement Registration) Requirements

I hereby order the Owner to do or cause to be done the following under the authority of subsections 197(1) and 197 (2) of the Act:

7.1 Property Notice Requirement

For the reasons set out in the CPU and pursuant to the authority vested in me by subsection 197(1) of the Act I hereby order you and any other person with an interest in the Property, before dealing with the Property in any way, to give a copy of the CPU, including any amendments thereto, to every person who will acquire an interest in the Property as a result of the dealing,

7.2 Certificate of Requirement Registration

Within fifteen (15) days from the date of receipt of a certificate of requirement issued under subsection 197(2) of the Act completed as outlined in Schedule C register the certificate of requirement on title to the Property, in the appropriate land registry office.

7.3 Verification

Within five (5) days after registering the certificate of requirement provide to the Director a copy of the registered certificate and of the parcel register(s) for the Property confirming that registration has been completed.

Part 8: General Requirements

- 8.1 The requirements of the CPU are severable. If any requirement of the CPU or the application of

any requirement to any circumstance is held invalid, such finding does not invalidate or render unenforceable the requirement in other circumstances nor does it invalidate or render unenforceable the other requirements of the CPU.

- 8.2 An application under subsection 168.6(3) of the Act to alter any terms and conditions in the CPU, or impose new terms and conditions, or revoke the CPU, shall be made in writing to the Director, with reasons for the request.
- 8.3 Failure to comply with the requirements of the CPU constitutes an offence.
- 8.4 The requirements of the CPU are minimum requirements only and do not relieve the Owner from, complying with any other applicable order, statute, regulation, municipal, provincial or federal law, or obtaining any approvals or consents not specified in the CPU.
- 8.5 Notwithstanding the issuance of the CPU, further requirements may be imposed in accordance with legislation as circumstances require.
- 8.6 In the event that, any person is, in the opinion of the Director, rendered unable to comply with any requirements in the CPU because of,
 - a. natural phenomena of an inevitable or irresistible nature, or insurrections,
 - b. strikes, lockouts or other labour disturbances,
 - c. inability to obtain materials or equipment for reasons beyond your control, or
 - d. any other cause whether similar to or different from the foregoing beyond your control,the requirements shall be adjusted in a manner defined by the Director. To obtain such an adjustment, the Director must be notified immediately of any of the above occurrences, providing details that demonstrate that no practical alternatives are feasible in order to meet the requirements in question.
- 8.7 Failure to comply with a requirement of the CPU by a date specified does not relieve the Owner(s) from compliance with the requirement. The obligation to complete the requirement shall continue each day thereafter.
- 8.8 The Risk Management Measures identified in the Risk Assessment and also in Part 4 of the CPU and all the other requirements in the CPU shall commence upon the issuance of the CPU and continue in full force and effect in accordance with the terms and conditions of the CPU until such time as the Director alters or revokes the CPU.
- 8.9 The provisions of the CPU shall take precedence in the event of a conflict between the provisions of the CPU and the Risk Assessment.
- 8.10 In the event that the Owner complies with the provisions of Items 7.2 and 7.3 of the CPU regarding the registration of the certificate of requirement on title to the Property, and then creates a condominium corporation by the registration of a declaration and description with respect to the Property pursuant to the *Condominium Act, 1998*, S.O. 1998, c.19 and then transfers ownership of the Property to various condominium unit owners, the ongoing obligations of the Owner under this CPU can be carried out by the condominium corporation on behalf of the new Owners of the Property.

Part 9: Hearing before the Environmental Review Tribunal

With respect to those provisions relating to my authority in issuing a certificate of property use under section 168.6 and an order under section 197 of the Act:

- 9.1 Pursuant to section 139 of the Act, you may require a hearing before the Environmental Review Tribunal (the “Tribunal”), if within fifteen (15) days after service on you of a copy of the CPU, you serve written notice upon the Director and the Tribunal.
- 9.1 Pursuant to section 142 of the Act, the notice requiring the hearing must include a statement of the portions of the CPU and the grounds on which you intend to rely at the hearing. Except by leave of the Tribunal, you are not entitled to appeal a portion of the CPU, or to rely on a ground, that is not stated in the notice requiring the hearing.
- 9.2 Service of a notice requiring a hearing must be carried out in a manner set out in section 182 of the Act and Ontario Regulation 227/07: Service of Documents, made under the Act as they may be amended from time to time. The address, email address and fax numbers of the Director and the Tribunal are:

The Secretary
Environmental Review Tribunal
655 Bay Street, Suite 1500
Toronto, ON, M5G 1E5
Fax: (416) 326-5370
Email: ERTTribunalSecretary@ontario.ca

and

Tina Dufresne
Halton-Peel District Manager, Central Region
Ministry of the Environment, Conservation and Parks
4145 North Service Road, Suite 300
Burlington, Ontario
L7L 6A3
Fax: 905-319-9902
Email: tina.dufresne@ontario.ca

- 9.4 Unless stayed by the Tribunal under section 143 of the Act, the CPU is effective from the date of issue.
- 9.5 If you commence an appeal before the Tribunal, under section 47 of the *Environmental Bill of Rights, 1993* (the “EBR”), you must give notice to the public in the Environmental Registry of Ontario. The notice must include a brief description of the CPU (sufficient to identify it) and a brief description of the grounds of appeal.

The notice must be delivered to the Minister of the Environment, Conservation and Parks who will place it on the Environmental Registry of Ontario. The notice must be delivered to the

Minister of the Ministry of the Environment, Conservation and Parks, College Park 5th Flr, 777 Bay St, Toronto, ON M7A 2J3 by the earlier of:

- (a) two (2) days after the day on which the appeal before the Tribunal was commenced; and
- (b) fifteen (15) days after service on you of a copy of the CPU.

9.6 Pursuant to subsection 47(7) of the EBR, the Tribunal may permit any person to participate in the appeal, as a party or otherwise, in order to provide fair and adequate representation of the private and public interests, including governmental interests, involved in the appeal.

9.7 For your information, under section 38 of the EBR, any person resident in Ontario with an interest in the CPU may seek leave to appeal the CPU. Under section 40 of the EBR, the application for leave to appeal must be made to the Tribunal by the earlier of:

- (a) fifteen (15) days after the day on which notice of the issuance of the CPU is given in the Environmental Registry of Ontario; and
- (b) if you appeal, fifteen (15) days after the day on which your notice of appeal is given in the Environmental Registry of Ontario.

Further information on the requirements of the Tribunal regarding an appeal can be obtained directly from the Tribunal by:

Tel: (416) 212-6349

Fax: (416) 326-5370

www.eltg.gov.on.ca

Issued at Burlington this 14th day of September, 2020

Tina Dufresne
Director, section 168.6 of the Act
Tina Dufresne

Schedule A

Contaminants of Concern and Property Specific Standards

Media	Contaminants of Concern (COC)	Units	Property Specific Standards
Soil	Cadmium	µg/g	3.1
Ground Water	Benzene	µg/L	2.4
	1,1-Dichloroethane	µg/L	170
	1,1-Dichloroethylene	µg/L	170
	Cis-1,2-Dichloroethylene	µg/L	250
	Trans-1,2-Dichloroethylene	µg/L	4.8
	1,1,1-Trichloroethane	µg/L	180
	Trichloroethylene	µg/L	1100
	Vinyl Chloride	µg/L	170
	Chloride	µg/L	7,300,000
	Sodium	µg/L	4,300,000

Schedule B

Sub-Slab Vapour and Indoor Air Trigger Levels

Contaminant of Concern	Sub-Slab Vapour Target Levels ($\mu\text{g}/\text{m}^3$)	Indoor Air Target Levels ($\mu\text{g}/\text{m}^3$)
1,1-Dichloroethane	29500	118
1,1-Dichloroethylene	12500	50.1
Cis-1,2-Dichloroethylene	26800	107
Trans-1,2-Dichloroethylene	10700	42.9
Trichloroethylene	218	0.872
Vinyl Chloride	102	0.406

SCHEDULE C

CERTIFICATE OF REQUIREMENT

s.197(2)

Environmental Protection Act

This is to certify that pursuant to Item 7.1 of Certificate of Property Use number 1752-BPXNWL issued by Tina Dufresne, Director of the Ministry of the Environment, Conservation and Parks, under sections 168.6 and 197 of the Environmental Protection Act, on September 14, 2020, being a Certificate of Property Use and order under subsection 197(1) of the Environmental Protection Act relating to the property municipally known as 530 Speers Road, ON L6K 2G4, being part of Property Identifier Number PIN 24830-0031 (LT), namely, Part of Blocks C and D, Plan 681, designated as parts 19, 20, and 21 on Plan 20R-18368, Town of Oakville (the "Property") with respect to a Risk Assessment and certain Risk Management Measures and other preventive measure requirements on the Property

1251239 ONTARIO INC.

and any other persons having an interest in the Property, are required before dealing with the Property in any way, to give a copy of the Certificate of Property Use, including any amendments thereto, to every person who will acquire an interest in the Property.

Under subsection 197(3) of the Environmental Protection Act, the requirement applies to each person who, subsequent to the registration of this certificate, acquires an interest in the Property.

Plan of Survey 20R-18368, prepared by Cunningham McConnell Limited Ontario Land Surveyors

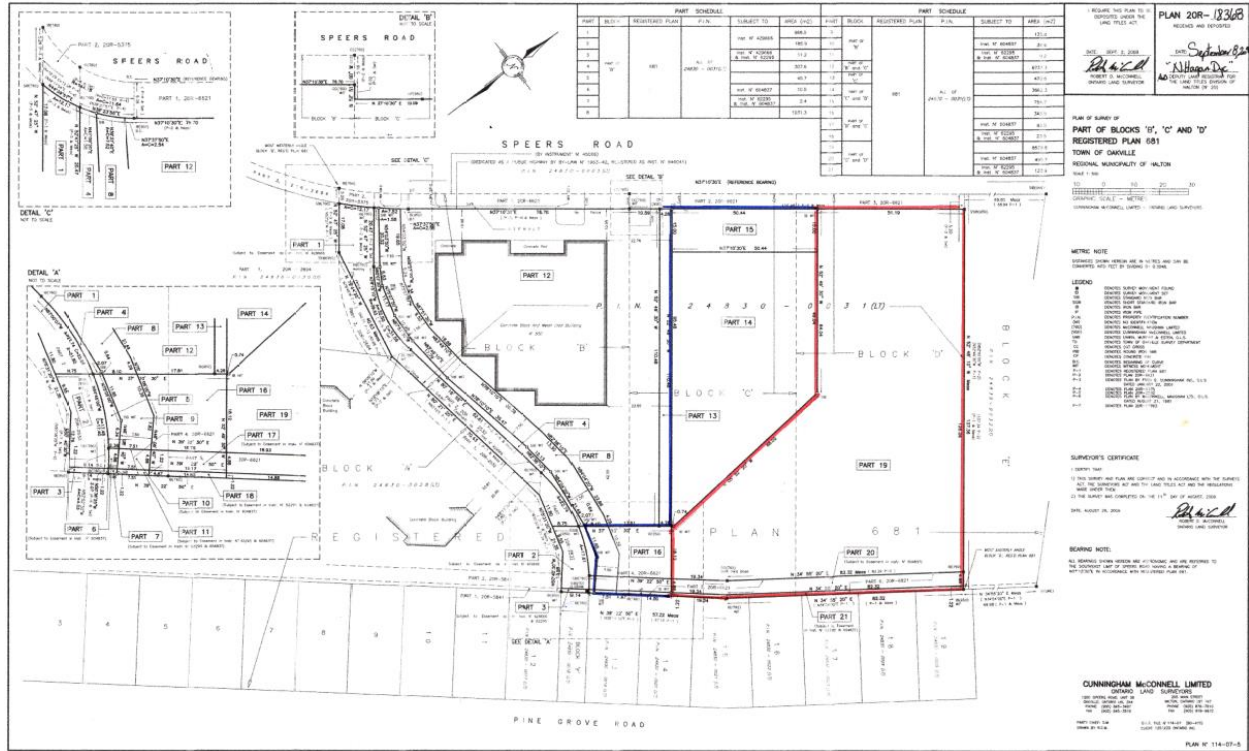
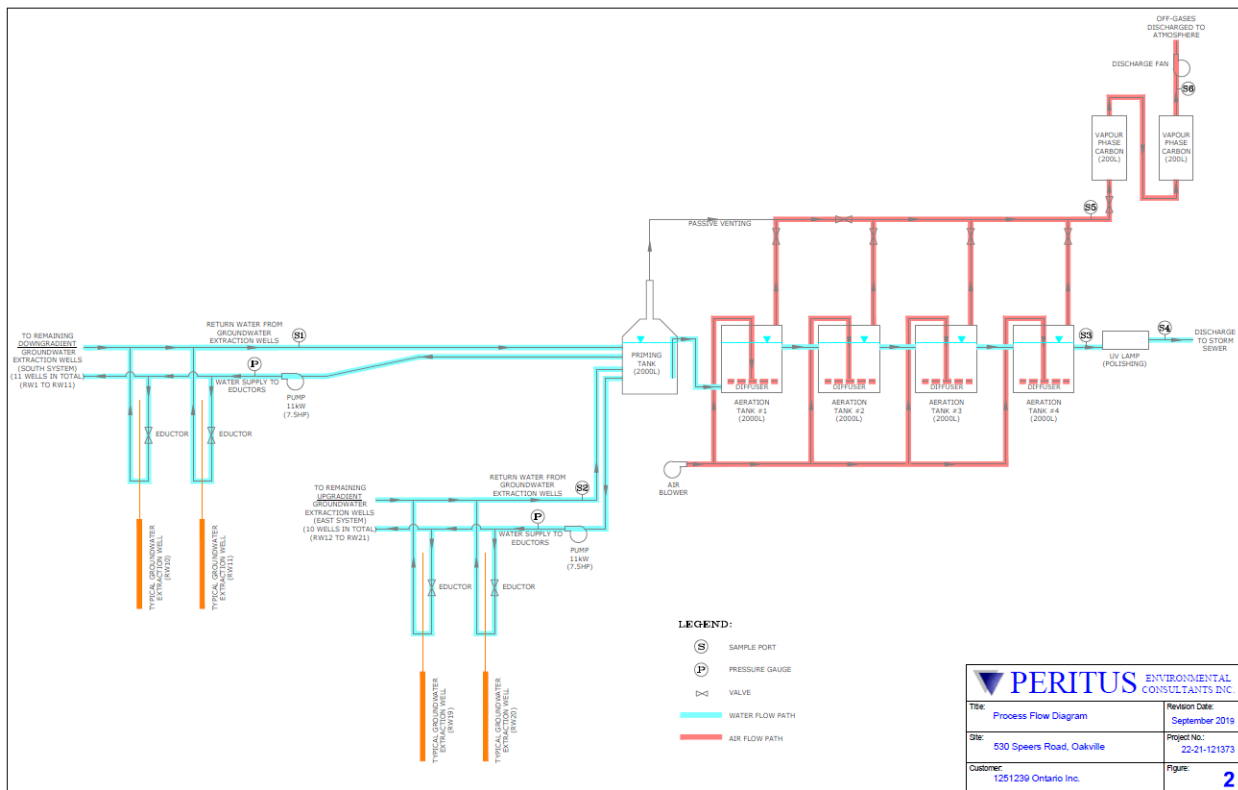


Figure 2, Process Flow Diagram, 530 Speers Road, Oakville, prepared by Peritus Environmental Consultants Inc., dated September 2019



Drawing Reference: Based on images from City of Oakville maps, Google, Ontario Base Maps, field notes and previous reports.
 Note: Locations of buildings, underground utilities etc. are for reference only and should not be referred to for detail design, excavation or construction purposes.

Figure 7.2, Groundwater Monitoring Program, 530 Speers Road, Oakville, prepared by Ramboll Canada Inc., dated April 1, 2020.

